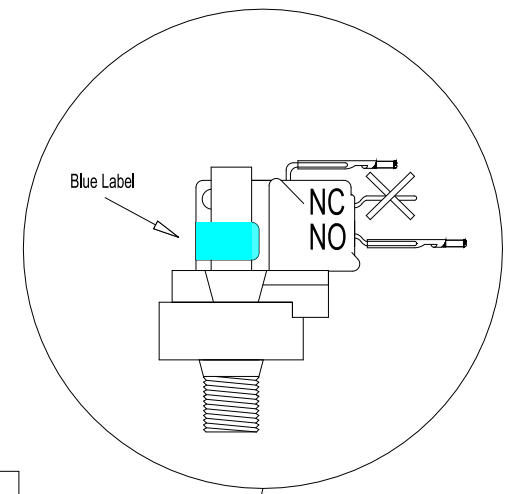
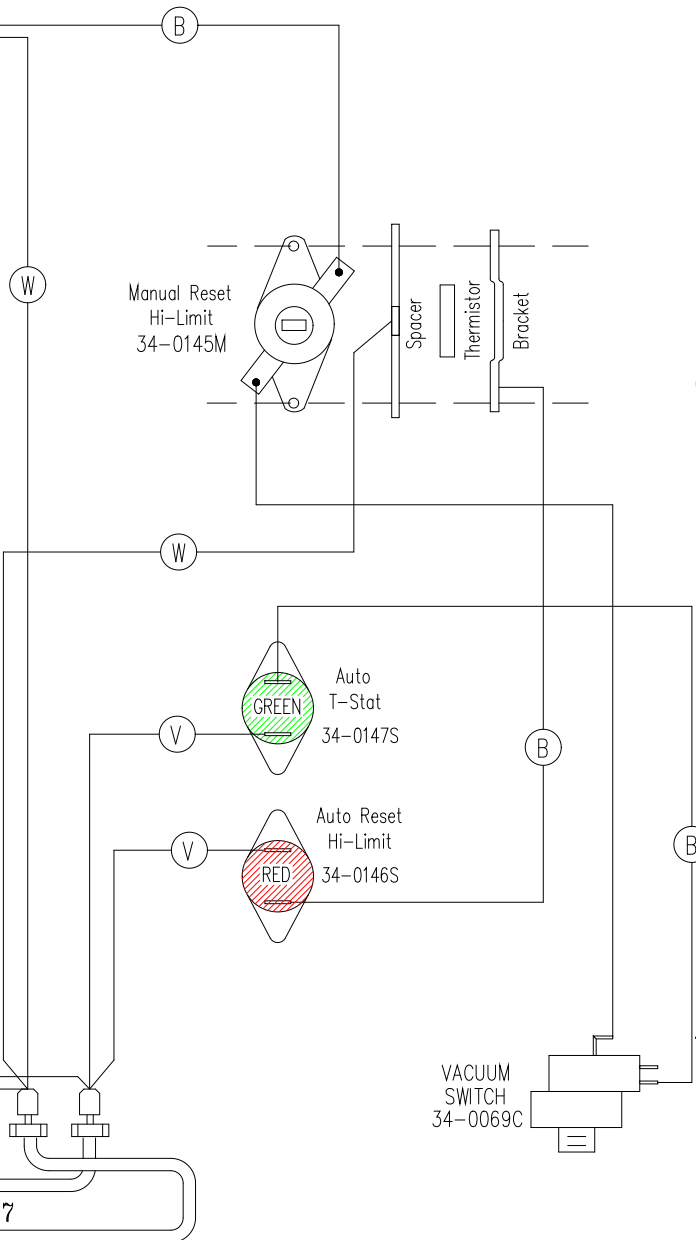
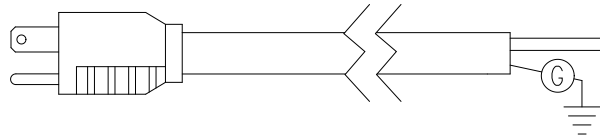


6 FOOT 15 AMP POWER CORD



Manual Reset
Hi-Limit
34-0145M

Spacer
Thermistor
Bracket

Auto
T-Stat
34-0147S

Auto Reset
Hi-Limit
34-0146S

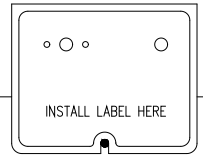
90 DEGREES
AMBER Indicator Light

INLINE
HEATER
1.5kW @ 120V

26-0021A-7

VACUUM
SWITCH
34-0069C

66-0148



HYDRO-QUIP
CORONA, CA (909) 273-7575

Manufacture Notes: HEATER TO BE MOUNTED ON SUCTION SIDE OF PUMP.

Dwg. No. BF-140B-CD	Drawn BH	Rev 1
Reviewed By:	Date 03.08.02	
Diagram No. 1277		

Wire Color Code	
B - Black	G - Green
Br - Brown	Bl - Blue
R - Red	V - Violet
O - Orange	W - White
Y - Yellow	Gr - Gray